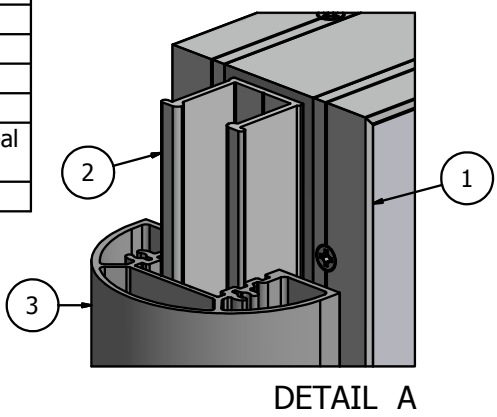
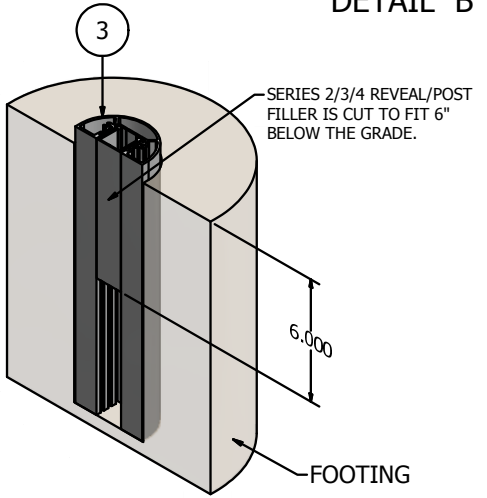
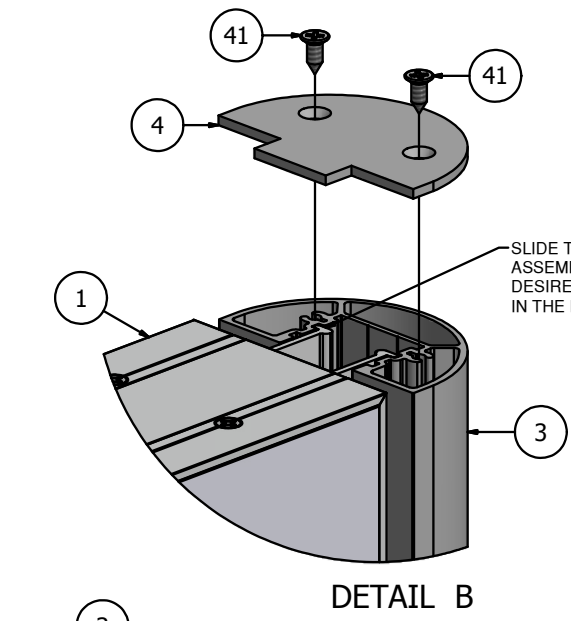
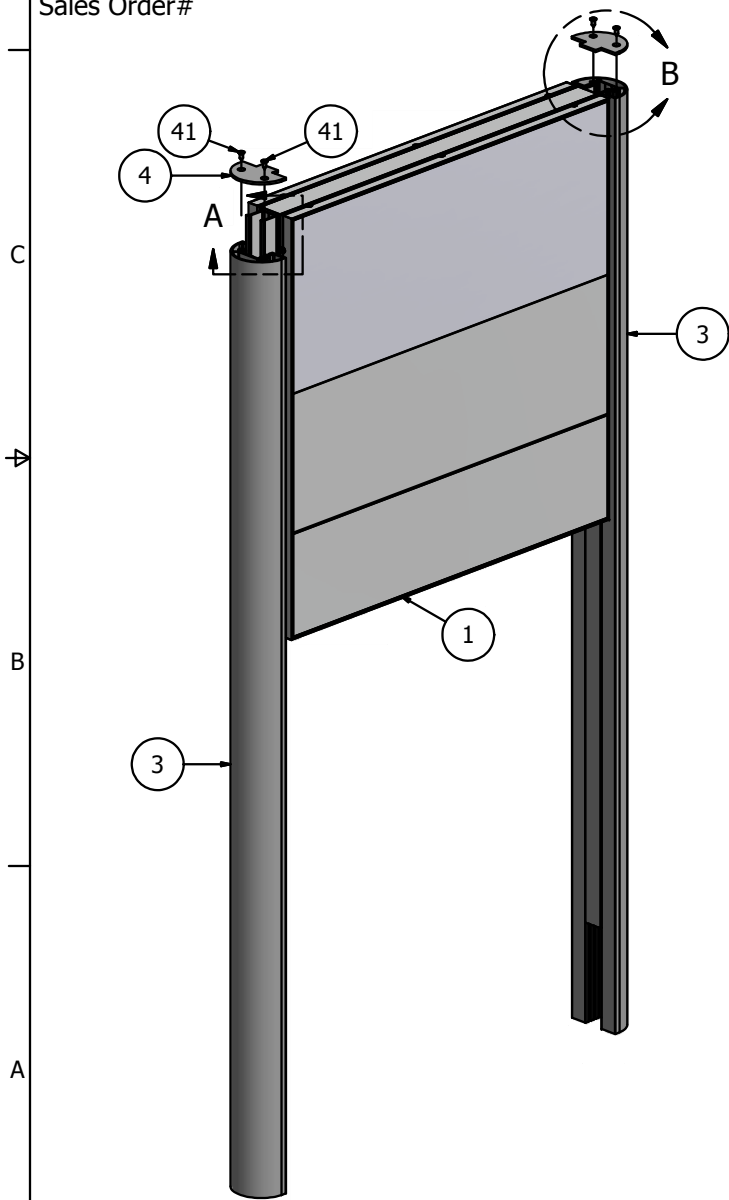
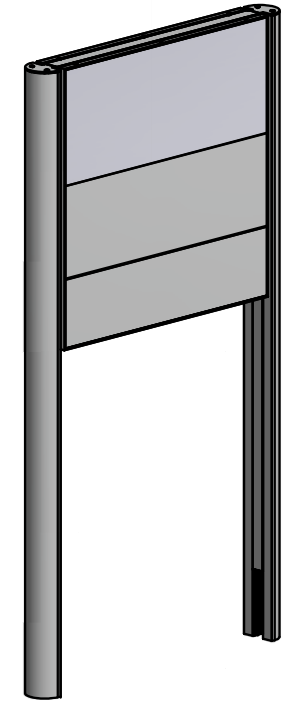


PARTS LIST			
ITEM	PART#	DESCRIPTION	NOTES
1	K1290/92/96	Series 3 Access Body w/ Insert Covers and End Covers	Assembly
2	1200	Series 2/3/4 Reveal	Attaches to the Body verticals
3	K1210	Series 3 Radius Post	Assembly
4	Post Cap	Series 3 Radius Post Cap	Zero Reveal #5000, 3/8" Reveal #5002, 3/4" Reveal #5004
41	5040	Cap Screw	#10 Countersink

Ship To:
Sales Order#

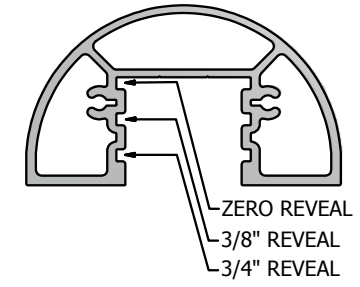


DETAIL A



SLIDE THE BODY/CABINET ASSEMBLY INTO THE DESIRED REVEAL POSITION IN THE POST.

REVEAL SETTING OPTIONS

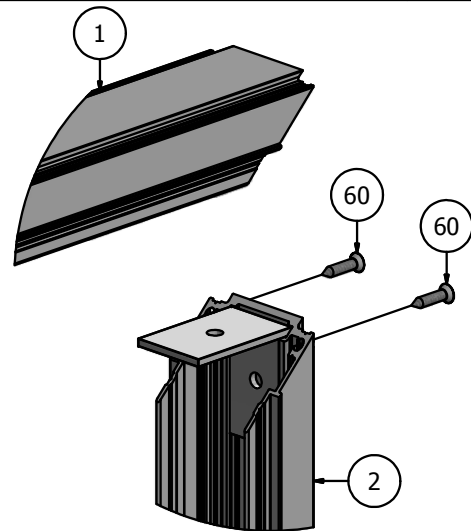
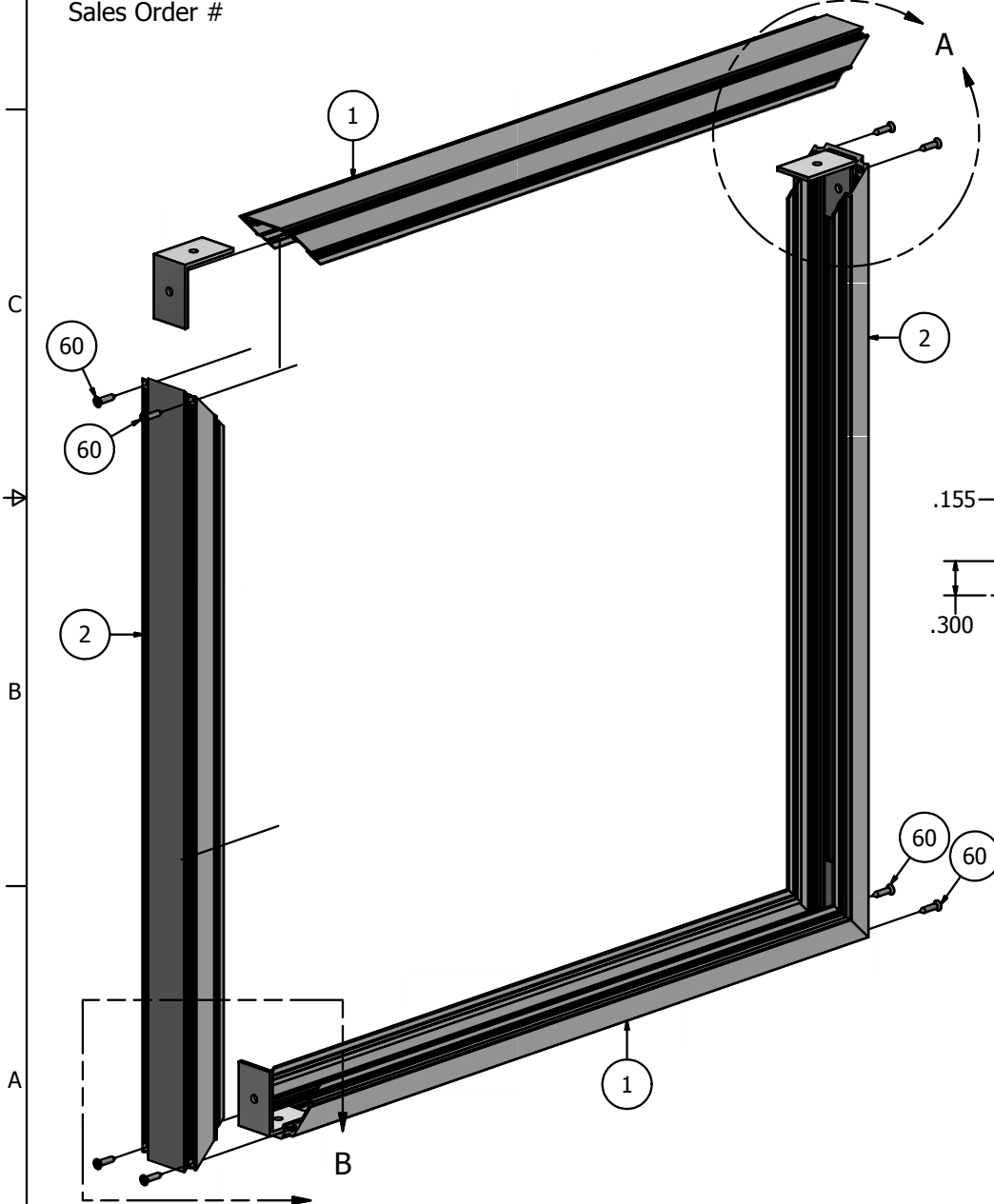


NOTE: PRE-CUT KITS ARE NOT PRE-DRILLED.
(Holes shown in this drawing are for reference only. Drilling of pilot holes are to be done by fabricator.)

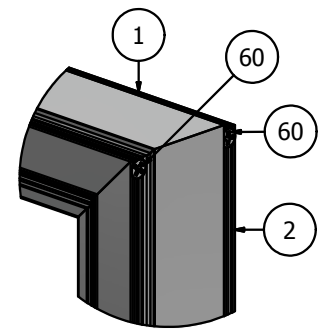
THIS DRAWING WAS CREATED AT NO CHARGE TO ASSIST YOU IN VISUALIZING OUR PROPOSAL. THE DRAWING HEREIN IS THE PROPERTY OF SIGNCOMP. PERMISSION TO COPY OR REVISE THIS DRAWING OR TO USE THIS DRAWING FOR PRODUCTION IS STRICTLY PROHIBITED AND CAN ONLY BE COPIED, REVISED OR USED FOR PRODUCTION WITH THE EXPRESSED WRITTEN PERMISSION OF SIGNCOMP.		
DRAWN	SBreihof	10/4/2012
Centroid X:	0.000 in	
Centroid Y:	0.000 in	
Principal Moments Ix:	0.000 in^4	
Principal Moments Iy:	0.000 in^4	
Section Modulus Ix:	0.000 in^3	
Section Modulus Iy:	0.000 in^3	
<div style="text-align: center;">SignComp</div>		TITLE
		Series 3 - Access Body w/ Insert Covers and End Cover - Series 3 Radius Post - Assembly
DWG NO		REV
K1290/92/96/10		
SHEET 1 OF 1		

PARTS LIST			
ITEM	PART#	DESCRIPTION	NOTES
1	1290	Series 3 Access Body	Top & Bottom
2	1290	Series 3 Access Body	Sides
60	5241	Access Body Corner Screw	See Hole Detail
6	5339	Series 3 Access Body Corner Angle	One (1) per body corner

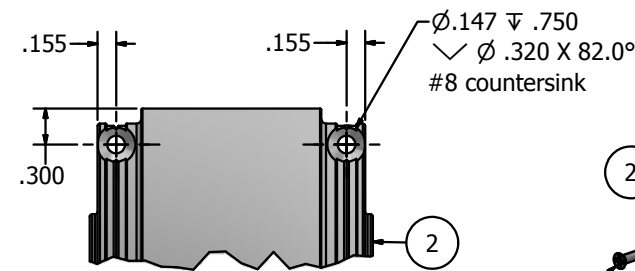
Ship To:
Sales Order #



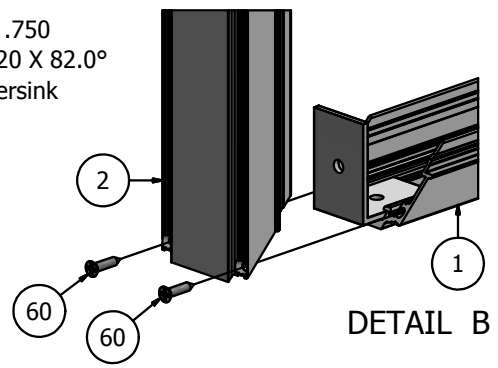
DETAIL A-1



DETAIL A-2



HOLE DETAIL
DRILLED BY OTHER



DETAIL B

NOTE: PRE-CUT KITS ARE NOT PRE-DRILLED.
(Holes shown in this drawing are for reference only.
Drilling of pilot holes are to be done by fabricator.)

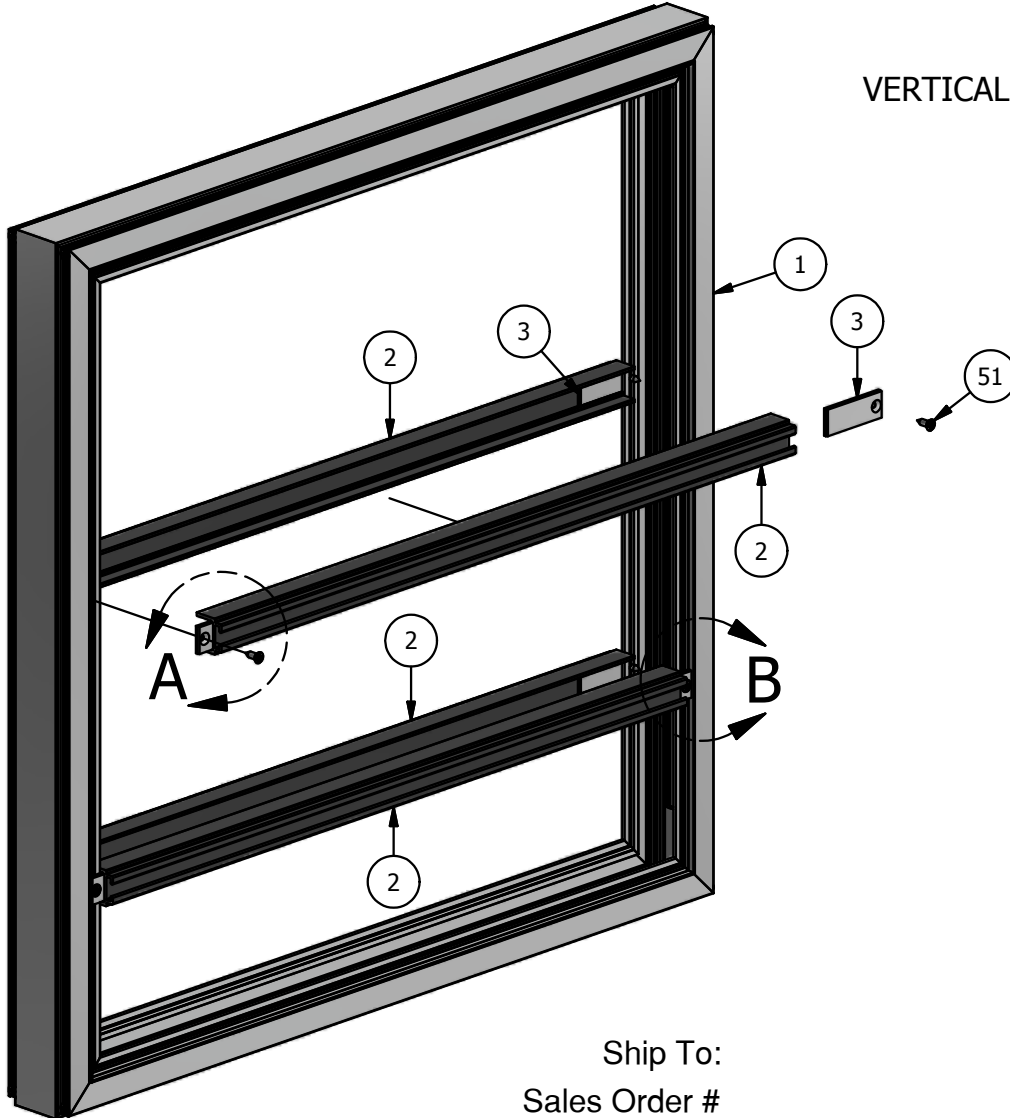
THIS DRAWING WAS CREATED AT NO CHARGE TO ASSIST YOU IN VISUALIZING OUR PROPOSAL. THE DRAWING HEREIN IS THE PROPERTY OF SIGNCOMP. PERMISSION TO COPY OR REVISE THIS DRAWING OR TO USE THIS DRAWING FOR PRODUCTION IS STRICTLY PROHIBITED AND CAN ONLY BE COPIED, REVISED OR USED FOR PRODUCTION WITH THE EXPRESSED WRITTEN PERMISSION OF SIGNCOMP.		
DRAWN	SBreihof	9/7/2012
Centroid X:	0.000 in	
Centroid Y:	0.000 in	
Principal Moments Ix:	0.000 in^4	
Principal Moments Iy:	0.000 in^4	
Section Modulus Ix:	0.000 in^3	
Section Modulus Iy:	0.000 in^3	
<div style="text-align: center;">SignComp</div>		TITLE
		Series 3 - Access Body
DWG NO		REV
K1290		
SHEET 1 OF 1		

PARTS LIST

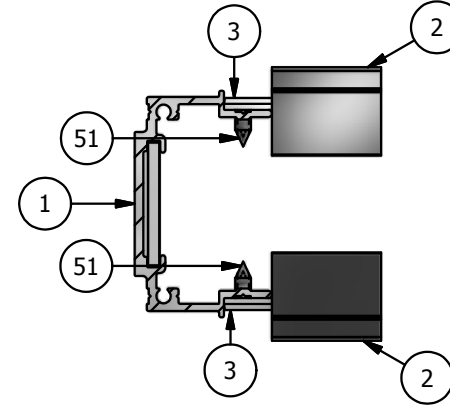
ITEM	PART #	DESCRIPTION	NOTES
1	K1290	Series 3 Access Body	Assembly
2	1668	Insert Divider	
3	5306	Insert Divider Tab	Two(2) per divider
51	5168	Insert Divider Screw	Drill #8 countersink

NOTE: PRE-CUT KITS ARE NOT PRE-DRILLED.

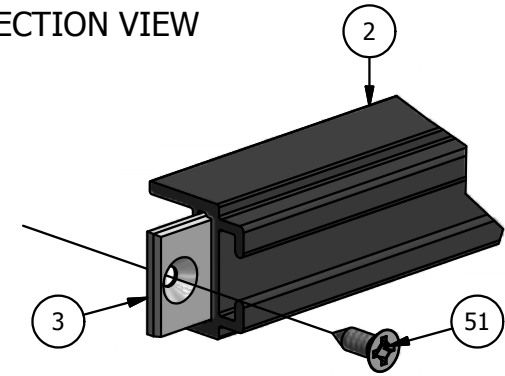
(Holes shown in this drawing are for reference only.
Drilling of pilot holes are to be done by fabricator.)



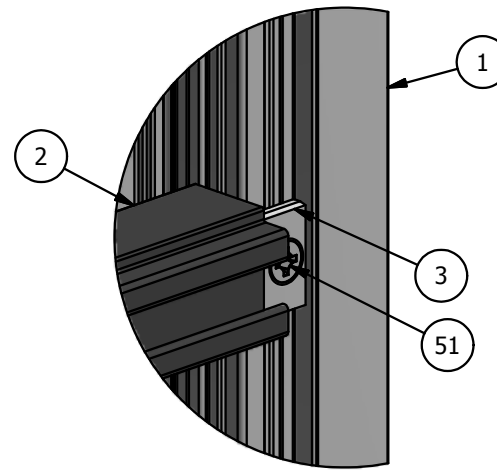
Ship To:
Sales Order #



VERTICAL CROSS-SECTION VIEW



DETAIL A



DETAIL B

THIS DRAWING WAS CREATED AT NO CHARGE TO ASSIST YOU IN VISUALIZING OUR PROPOSAL. THE DRAWING HEREIN IS THE PROPERTY OF SIGNCOMP. PERMISSION TO COPY OR REVISE THIS DRAWING OR TO USE THIS DRAWING FOR PRODUCTION IS STRICTLY PROHIBITED AND CAN ONLY BE COPIED, REVISED OR USED FOR PRODUCTION WITH THE EXPRESSED WRITTEN PERMISSION OF SIGNCOMP.

Project Name: Series 3 - Access Body with Insert Divider - Assembly

Sign Company: K1290/68

Part #:

Revision:

Date: 3/8/2017

Drawing By: SBreihof

Sheet: 1 of 1

Size:

SignComp

2



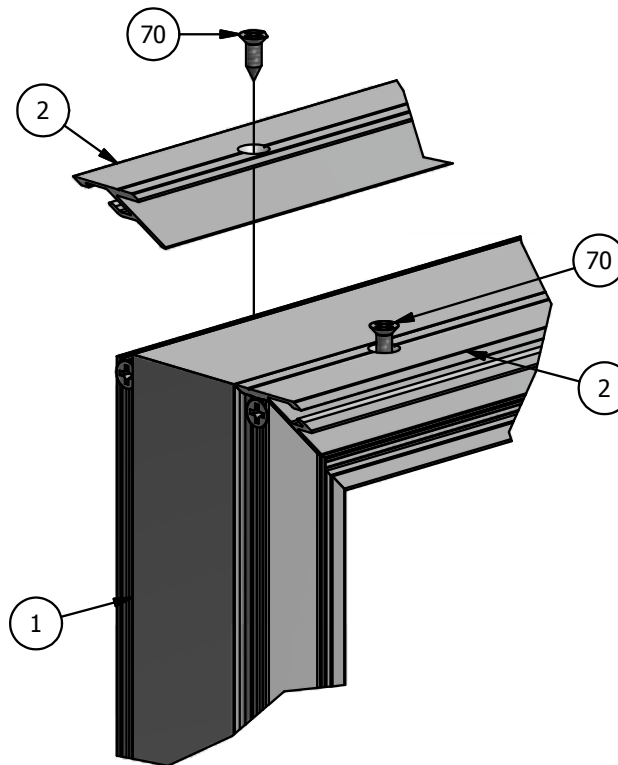
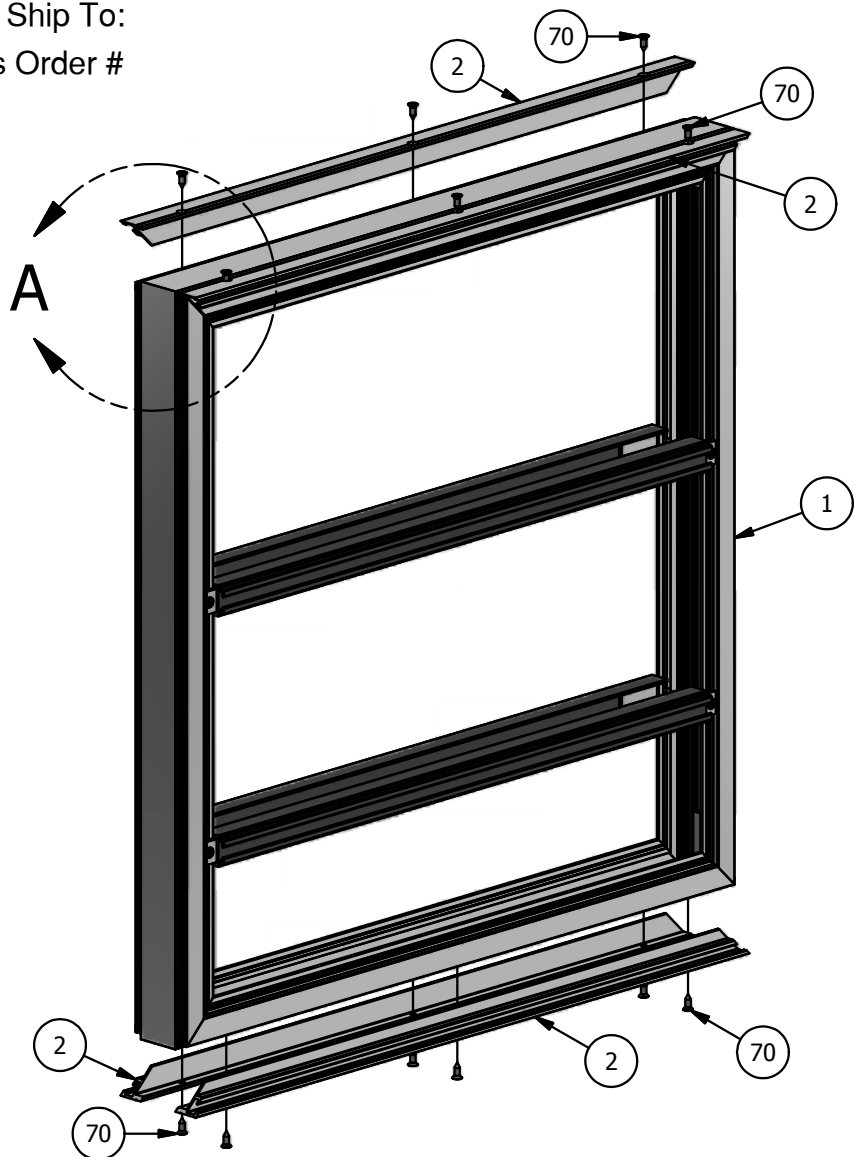
1

PARTS LIST			
ITEM	PART #	DESCRIPTION	NOTES
1	K1290	Series 3 Access Body	Assembly
2	1292	Insert Top & Bottom Cover	
70	5168	Insert Top & Bottom Cover Screw	Drill #8 countersink

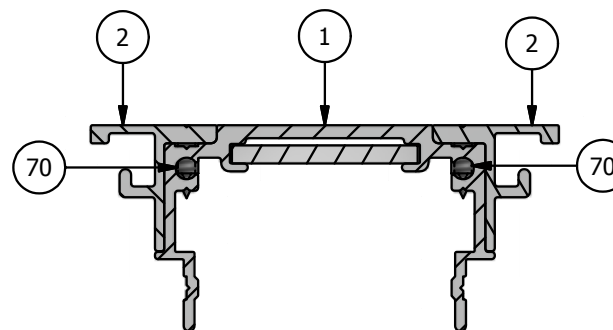
NOTE: PRE-CUT KITS ARE NOT PRE-DRILLED.

(Holes shown in this drawing are for reference only.
Drilling of pilot holes are to be done by fabricator.)

Ship To:
Sales Order #



DETAIL A



HORIZONTAL CROSS-SECTION VIEW

2



1

THIS DRAWING WAS CREATED AT NO CHARGE TO ASSIST YOU IN VISUALIZING OUR PROPOSAL. THE DRAWING HEREIN IS THE PROPERTY OF SIGNCOMP. PERMISSION TO COPY OR REVISE THIS DRAWING OR TO USE THIS DRAWING FOR PRODUCTION IS STRICTLY PROHIBITED AND CAN ONLY BE COPIED, REVISED OR USED FOR PRODUCTION WITH THE EXPRESSED WRITTEN PERMISSION OF SIGNCOMP.

Project Name: Series 3 - Access Body with Insert Cover - Assembly

Sign Company: K1290/1292

Part #:

Revision:

Date: 3/8/2017

Sheet: 1 of 1

Size:

A

Drawing By: SBreihof

SignComp

A



B

B



A

2

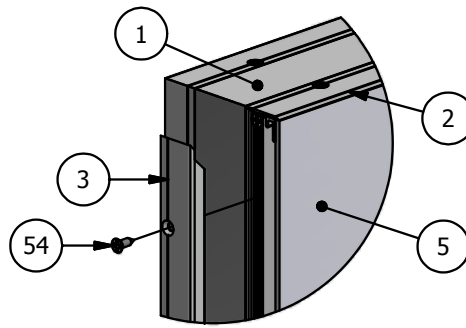


1

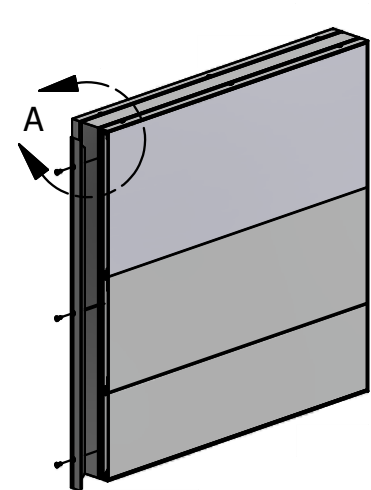
PARTS LIST

ITEM	PART #	DESCRIPTION	NOTES
1	K1290	Series 3 Access Body	Assembly
2	1292	Insert Cover	Top & Bottom
3	1696	Insert End Cover	Sides
4	1668	Insert Divider	
5	1689	Panel w/ Plastic Insert Adaptors	
6	1679	Panel w/ Aluminum Insert Adaptors	
7	1674/76/78	4", 6" or 8" Aluminum Insert Panels	
54	5168	Insert End Cover Screw	Drill #8 countersink

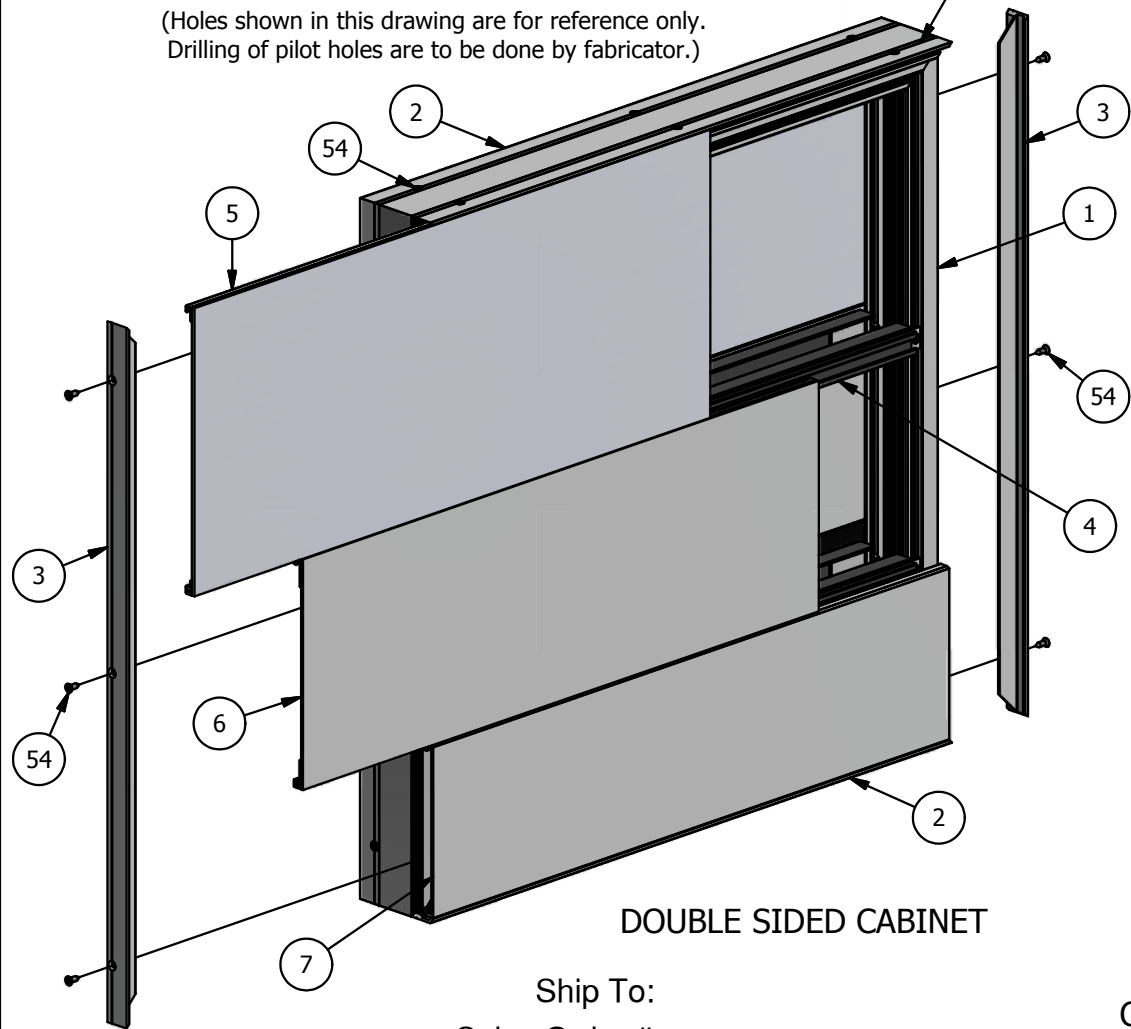
B



DETAIL A

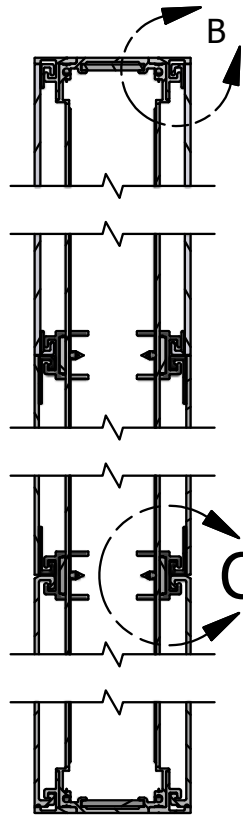


NOTE: PRE-CUT KITS ARE NOT PRE-DRILLED.
 (Holes shown in this drawing are for reference only.
 Drilling of pilot holes are to be done by fabricator.)

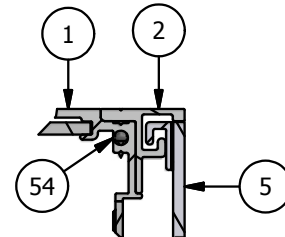


DOUBLE SIDED CABINET

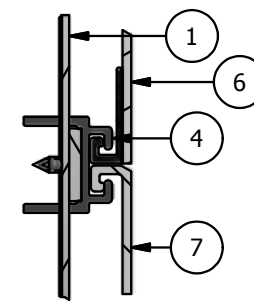
Ship To:
Sales Order #



CABINET SECTION-VIEW
THRU HORIZONTALS



DETAIL B



DETAIL C

2



1

THIS DRAWING WAS CREATED AT NO CHARGE TO ASSIST YOU IN VISUALIZING OUR PROPOSAL. THE DRAWING HEREIN IS THE PROPERTY OF SIGNCOMP. PERMISSION TO COPY OR REVISE THIS DRAWING OR TO USE THIS DRAWING FOR PRODUCTION IS STRICTLY PROHIBITED AND CAN ONLY BE COPIED, REVISED OR USED FOR PRODUCTION WITH THE EXPRESSED WRITTEN PERMISSION OF SIGNCOMP.

Project Name:	Series 3 - Access Body w/ Insert Covers & End Covers - Assembly	Sheet:	1 of 1
Sign Company:	K1290/92/96	Date:	3/8/2017
Part #:		Revision:	
Size:	A	Drawing By:	SBreihof

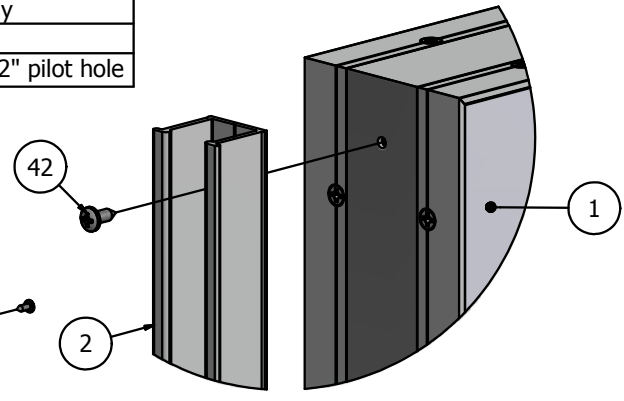
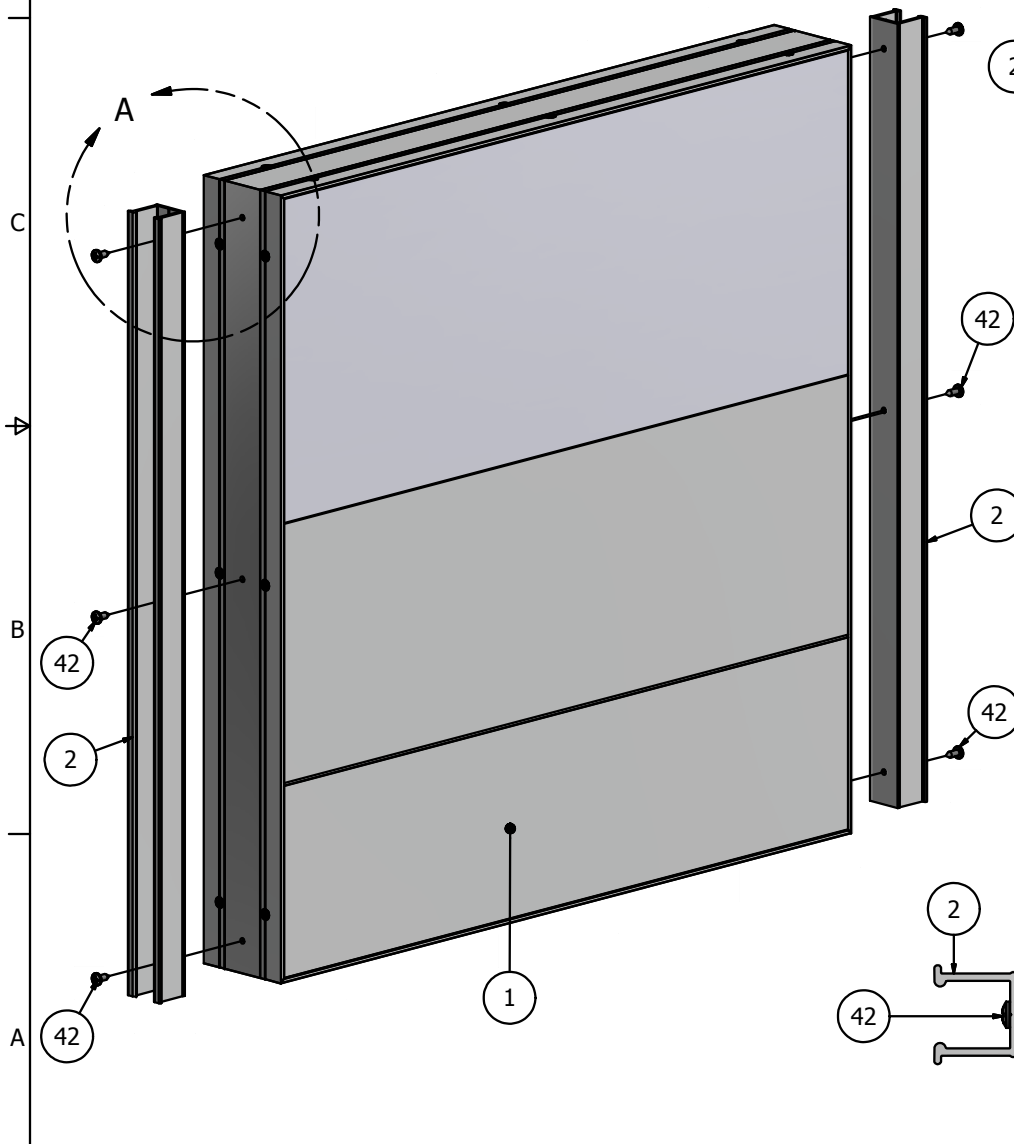
SignComp

B

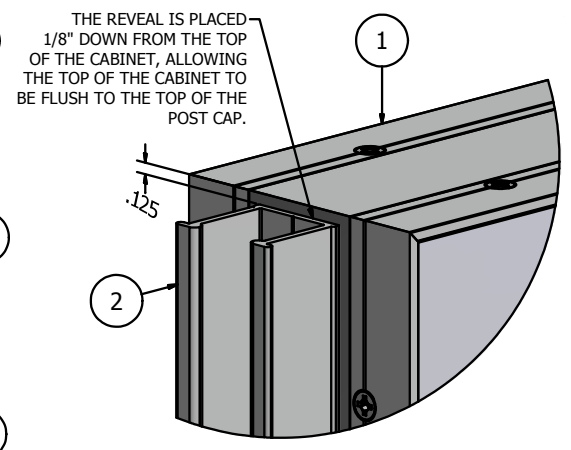
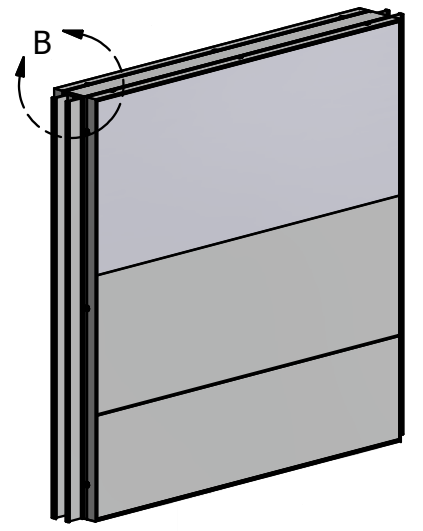
A

PARTS LIST			
ITEM	PART#	DESCRIPTION	NOTES
1	K1290/92/96	Series 3 Access Body w/ Insert Covers and End Cover	Assembly
2	1200	Series 2/3/4 Reveal	
42	5218	Reveal to Body Screw	Drill 5/32" pilot hole

Ship To:
Sales Order #



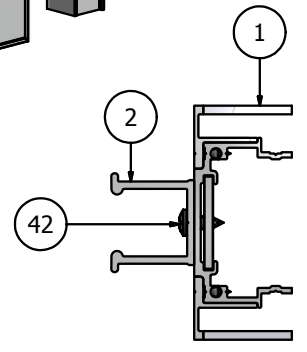
DETAIL A



DETAIL B

THE REVEAL IS PLACED 1/8" DOWN FROM THE TOP OF THE CABINET, ALLOWING THE TOP OF THE CABINET TO BE FLUSH TO THE TOP OF THE POST CAP.

NOTE: PRE-CUT KITS ARE NOT PRE-DRILLED.
(Holes shown in this drawing are for reference only. Drilling of pilot holes are to be done by fabricator.)

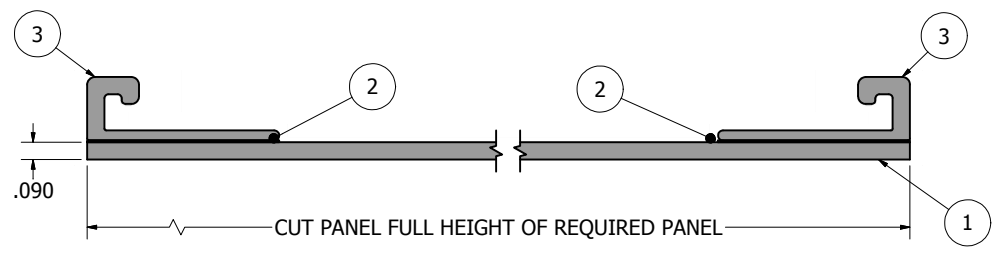
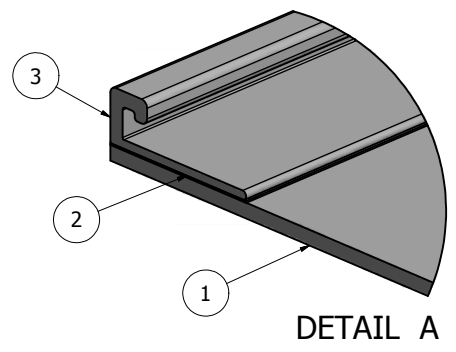
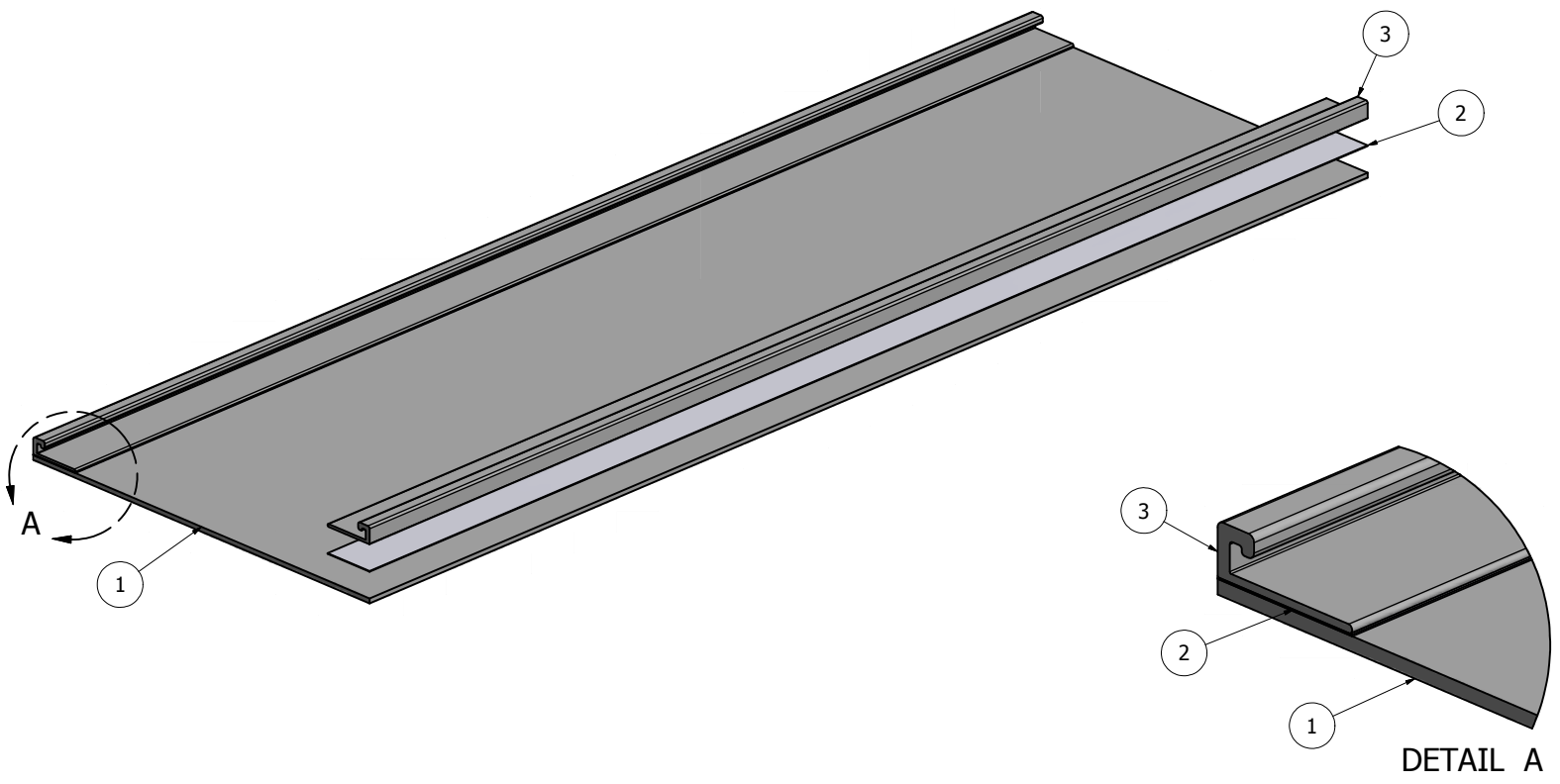


VERTICAL CROSS-SECTION VIEW

THIS DRAWING WAS CREATED AT NO CHARGE TO ASSIST YOU IN VISUALIZING OUR PROPOSAL. THE DRAWING HEREIN IS THE PROPERTY OF SIGNCOMP. PERMISSION TO COPY OR REVISE THIS DRAWING OR TO USE THIS DRAWING FOR PRODUCTION IS STRICTLY PROHIBITED AND CAN ONLY BE COPIED, REVISED OR USED FOR PRODUCTION WITH THE EXPRESSED WRITTEN PERMISSION OF SIGNCOMP.		
DRAWN	SBreihof	9/20/2012
Centroid X:	0.000 in	
Centroid Y:	0.000 in	
Principal Moments Ix:	0.000 in^4	
Principal Moments Iy:	0.000 in^4	
Section Modulus Ix:	0.000 in^3	
Section Modulus Iy:	0.000 in^3	
		TITLE
		Series 3 - Access Body w/ Insert Top & Bottom Covers and End Cover - Series 2/3 Reveal - Assembly
DWG NO		REV
K1290/92/96 - Reveal		
SHEET 1 OF 1		

Parts List			
ITEM	PART #	DESCRIPTION	NOTES
1	Aluminum Stock	.090 Flat Aluminum Sheet	By Fabricator
2	Tape/Adhesive	Bonding Tape or Bonding Adhesive	For Aluminum Bonding - By Fabricator
3	1679	Aluminum Insert Adaptor	Top and Bottom

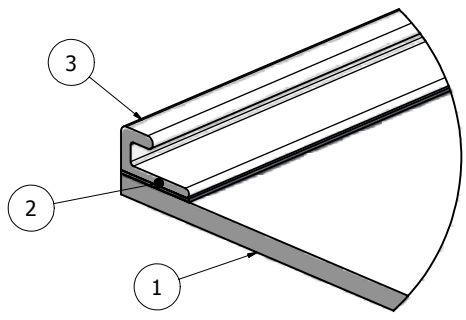
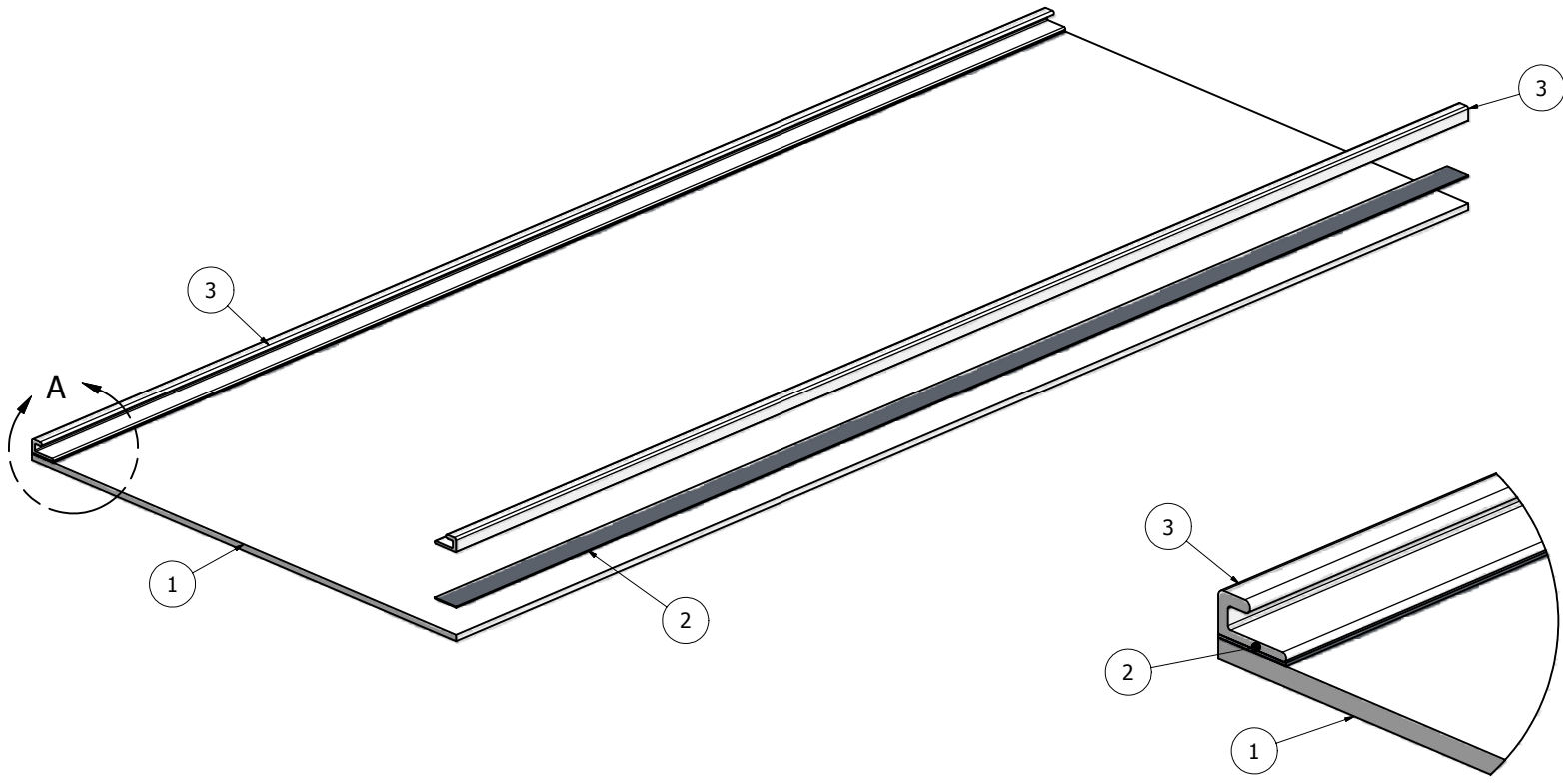
Ship To:
Sales Order#



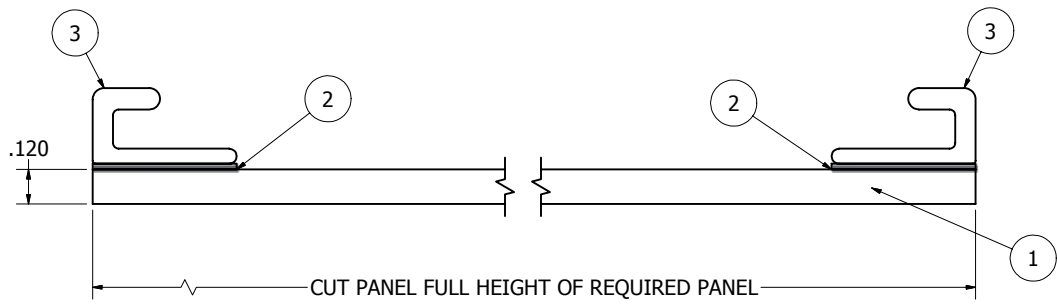
NOTE: PRE-CUT KITS ARE NOT PRE-DRILLED.
(Holes shown in this drawing are for reference only.
Drilling of pilot holes are to be done by fabricator.)

THIS DRAWING WAS CREATED AT NO CHARGE TO ASSIST YOU IN VISUALIZING OUR PROPOSAL. THE DRAWING HEREIN IS THE PROPERTY OF SIGNCOMP. PERMISSION TO COPY OR REVISE THIS DRAWING OR TO USE THIS DRAWING FOR PRODUCTION IS STRICTLY PROHIBITED AND CAN ONLY BE COPIED, REVISED OR USED FOR PRODUCTION WITH THE EXPRESSED WRITTEN PERMISSION OF SIGNCOMP.				
DRAWN	12/15/2008	<h1 style="text-align: center;">SignComp</h1>		
Steve				
CHECKED				
QA				
MFG				
APPROVED		TITLE		
		Aluminum Insert Adaptor - Assembly		
		SIZE	DWG NO	REV
		C	1679	
		SCALE	SHEET 1 OF 1	

Parts List			
ITEM	PART #	DESCRIPTION	NOTES
1	Plastic Stock	.120 Acrylic Sheet	By Fabricator
2	Adhesive	Adhesive Tape (for Plastic) or Liquid Bonding Agent	By Fabricator
3	1689	Plastic Insert Adaptor	Top & Bottom



DETAIL A



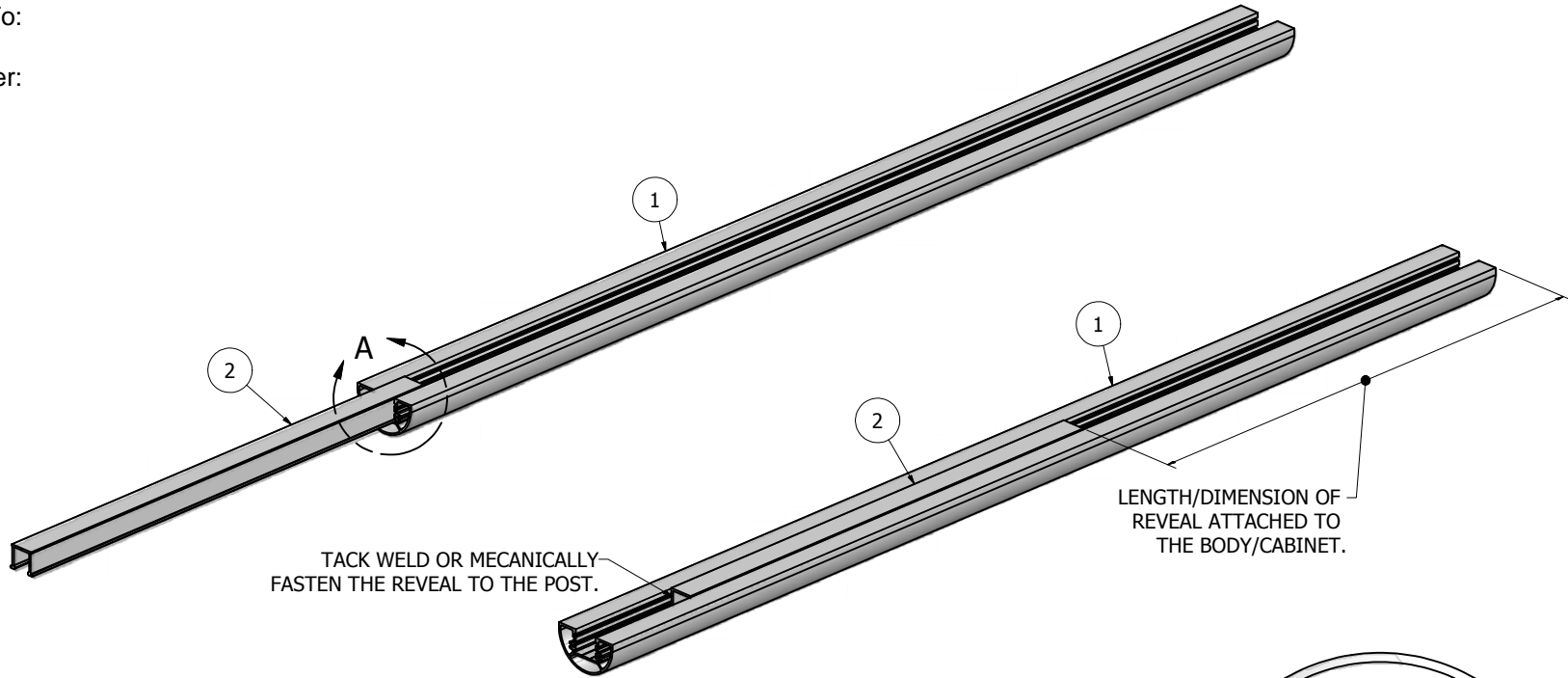
NOTE: PRE-CUT KITS ARE NOT PRE-DRILLED.
 (Holes shown in this drawing are for reference only.
 Drilling of pilot holes are to be done by fabricator.)

THIS DRAWING WAS CREATED AT NO CHARGE TO ASSIST YOU IN VISUALIZING OUR PROPOSAL. THE DRAWING HEREIN IS THE PROPERTY OF SIGNCOMP. PERMISSION TO COPY OR REVISE THIS DRAWING OR TO USE THIS DRAWING FOR PRODUCTION IS STRICTLY PROHIBITED AND CAN ONLY BE COPIED, REVISED OR USED FOR PRODUCTION WITH THE EXPRESSED WRITTEN PERMISSION OF SIGNCOMP.				
DRAWN Steve	12/15/2008	SignComp		
CHECKED				
QA				
MFG				
APPROVED		TITLE Plastic Insert Panel Adaptors - Assembly		
		SIZE C	DWG NO K1689	REV
		SCALE	SHEET 1 OF 1	

Parts List			
ITEM	PART #	DESCRIPTION	NOTES
1	1210	Series 3, 3-1/4" Radius Post	
2	1200	Series 2/3 Reveal	Tack weld or mechanically fasten to post

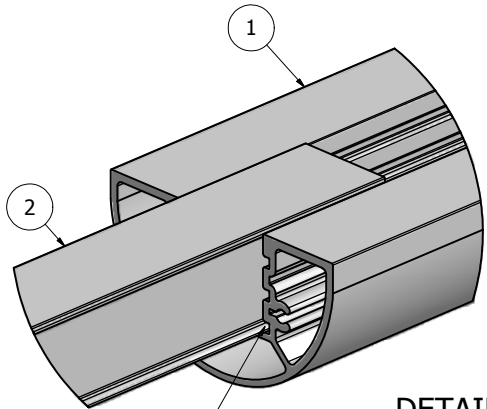
Ship To:

Order Number:



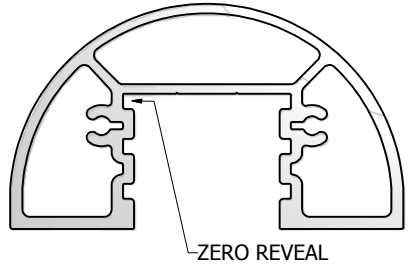
TACK WELD OR MECANICALLY FASTEN THE REVEAL TO THE POST.

LENGTH/DIMENSION OF REVEAL ATTACHED TO THE BODY/CABINET.



DETAIL A

INSERT THE REVEAL/FILLER INTO THE ZERO REVEAL POSTION. SLIDED IT UP INTO THE POST.



NOTE: PRE-CUT KITS ARE NOT PRE-DRILLED.
 (Holes shown in this drawing are for reference only.
 Drilling of pilot holes are to be done by fabricator.)

THIS DRAWING WAS CREATED AT NO CHARGE TO ASSIST YOU IN VISUALIZING OUR PROPOSAL. THE DRAWING HEREIN IS THE PROPERTY OF SIGNCOMP. PERMISSION TO COPY OR REVISE THIS DRAWING OR TO USE THIS DRAWING FOR PRODUCTION IS STRICTLY PROHIBITED AND CAN ONLY BE COPIED, REVISED OR USED FOR PRODUCTION WITH THE EXPRESSED WRITTEN PERMISSION OF SIGNCOMP.

DRAWN	Steve	4/5/2010	SignComp		
CHECKED					
QA			TITLE		
MFG			Series 3, 3-1/4" Radius Post - Series 2/3 Reveal - Assembly		
APPROVED			SIZE	DWG NO	REV
			C	1210-00	
			SCALE	SHEET 1 OF 1	